



# KiwiEye Kit

Smart Detection System

## K001010



### Function

The system, installed on industrial vehicles, is capable of performing the following functions:

- People detection and distance measurement
- Forklift detection and distance measurement
- Road sign detection and distance measurement
- Aruco markers detection and distance measurement
- Partial and total optics occlusions detection

### Directives and reference standards

Directive 2014/53/EU (RED)  
 EN 12895:2015+/A1:2019  
 ETSI EN 301 489-1 V2.2.3(2019)  
 ISO 13766-1:2018  
 ETSI EN 301 893 v.2.1.1  
 EN 14982:2009

ETSI EN 300 328 V2.2.2 (2019-07)  
 ETSI EN 301 489-17 V3.2.4(2020)  
 ISO 13766-2: 2018  
 ETSI EN 300 440

### Approvals and certificates

RED Conformity

### KIT Composition

Products		Accessories	
Code	Description	Code	Description
X001010	KiwiEye camera	C002152	CAN ETS twisted pair
G006410	RAM Mount Prod: RAM Mounts Model: RAM-B-138U	C002160	KiwiEye wiring

**Technical Data**
**Mechanical specifications**

Dimensions	145x67x90mm	Material	Back: Aluminium 6061 Front: ABS
Weight	900 g		

**Electrical specifications**

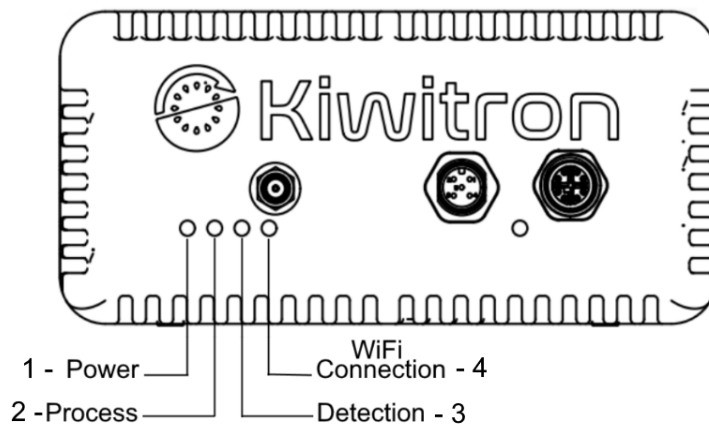
Power Supply	12 to 24 V	Grounding	Electrically insulated case
Maximum power consumption	18W	Average power consumption	14W

**Environmental conditions**

Ambient temperature	0 to +40°C	Storage temperature	-25 to +65°C
Ambient humidity	35 to 85%RH (No condensation)	Storage humidity	35 ÷ 85%RH (No condensation)

**Visualisation**

Resolution	640 x 360 (Image) 1280 x 720 (Depth)	Frame rate	30 fps (33 ms)
Shutter system	Global shutter	Modules	RGB/Depth
Detection distance	up to 25 m	Field of view	Horiz: 90° Vert: 65°
Detected categories	People, forklifts, signs/markers		

**Indicators/Operating principles**


Powered system	Power LED (1) fixed	Pre-operating system Operating system	Process LED (2) fixed Process LED (2) flashing
Detecting system	Detection LED (3) flashing	Wi-Fi communication	WiFi Connection LED (4) fixed

**Interfaces**

CAN Open	Y	WiFi	Y
----------	---	------	---